

Magnetic Float Level Indicator

Model: LFG

Features

- Mechanical local level indication without power supply
- Medium is completely isolated from the measurement indication
- Work under harsh conditions with customized design and corrosion resistant materials
- Wide selection of wetted materials
- Variety of process connections offering
- Optional level transmitter and switch
- Optional intrinsically safe and explosion proof

Typical Application

- Chemical and petrochemical
- Offshore oil platform
- Shipbuilding industry
- Bio-pharmaceuticals
- Power industry
- Mechanical equipment manufacturing



Performance Specifications

Chamber Size:	$\phi 45.0 \times 2.0$ mm (working pressure ≤ 4.0 MPa) $\phi 60.3 \times 2.0$ mm (working pressure ≤ 4.0 MPa) $\phi 60.3 \times 2.6$ mm (working pressure ≤ 6.3 MPa) For others please consult factory
Process Connection:	ASME B16.5 NPS 1/2" ~ NPS 2", Class 150~900 lbs EN 1092 DN15~DN50, PN2.5 ~ 160 bar
Working Temperature:	$-45 \sim +450$ °C (working pressure ≤ 4.0 MPa) $-45 \sim +380$ °C (working pressure ≤ 6.3 MPa) $-45 \sim +300$ °C (working pressure ≤ 10.0 MPa) $-45 \sim +200$ °C (working pressure ≤ 16.0 MPa)
Chamber Material:	SS 304, SS316L
Connection Distance:	$200 \sim 12000$ mm (working pressure ≤ 4.0 MPa) $200 \sim 6000$ mm (working pressure ≤ 6.0 MPa) $200 \sim 3000$ mm (working pressure ≤ 16.0 MPa)
Optional Output:	4~20 mA, HART and PROFIBUS
Optional Switch:	230V 60VA 1A / 230V 30W 0.5A SPDT 230V AC 6A / 230V DC 3A SPDT/DPDT

KEY BENEFITS

- A variety of product design to cope with harsh conditions
- Customized design, more stable and reliable
- Various of electrical output
- Intrinsically safe and explosion proof

Magnetic Float Level Indicator

Model: LFG

Wetted Materials

Measuring Chamber: SS304, SS316L, PVC, PP, 316LPTFE

Float: SS304, SS316L, PVC, PP, 316L PTFE

Process Connection: SS304, SS316L, PVC, PP, 316L PTFE

Non-Wetted Materials

Rotating Flaps: Aluminum/plastic profiles, plastic tilting post

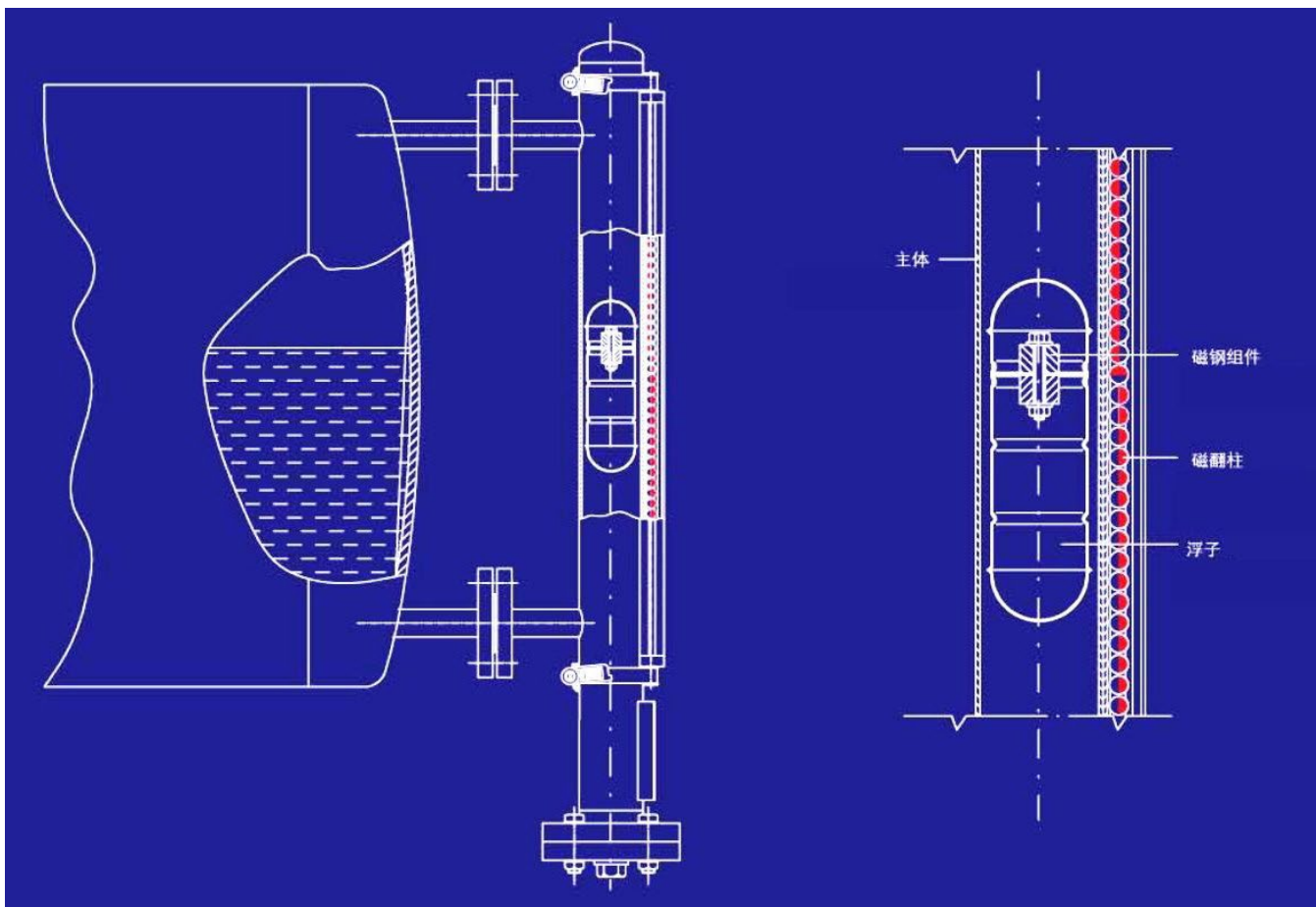
Indication Window: Normal glass/Acrylic, thickened acrylic(fog resistance)

Scale: Aluminum alloy, stainless steel

Measuring Principle

The magnetic float level indicator indicates level by the rotation of the red/blue and white rotating flaps driven by the moving of the magnetic float. When the float ascends the rotating flaps turn from white to red/blue. When the the float descends the rotating flaps turns white. The position of the red/blue indicates the level.

Besides the basic model, we offer many other designs such as jacket type, fog resistance, corrosion resistance, top mounting, gasification, sanitary type, etc.



Magnetic Float Level Indicator

Model: LFG

Sizes and Dimensions(unit: mm)

Basic magnetic float level gauge

L = Center to center distance

L1 = Float Length -
30mm

Y: 90mm (Round
head)

100mm (Flat Head)

150mm (Flange)

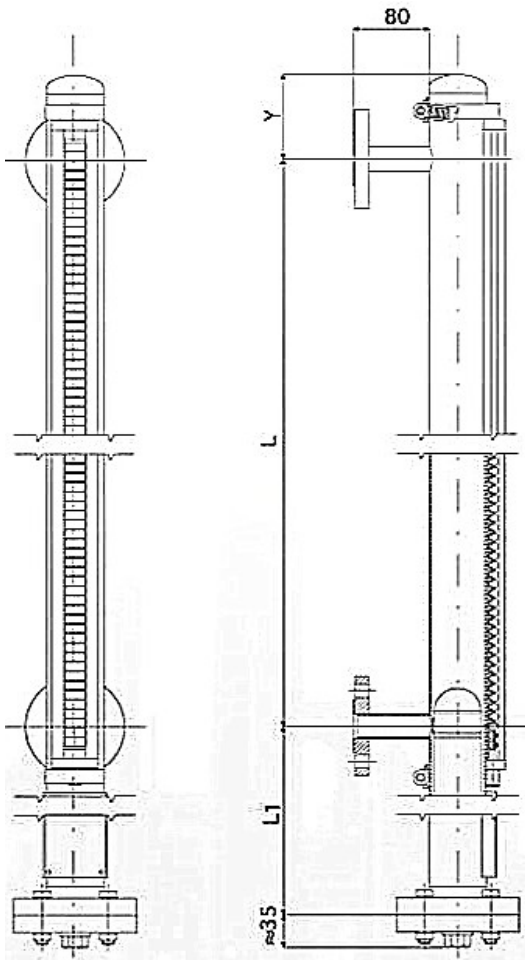
High pressure magnetic float level gauge

L = Center to center distance

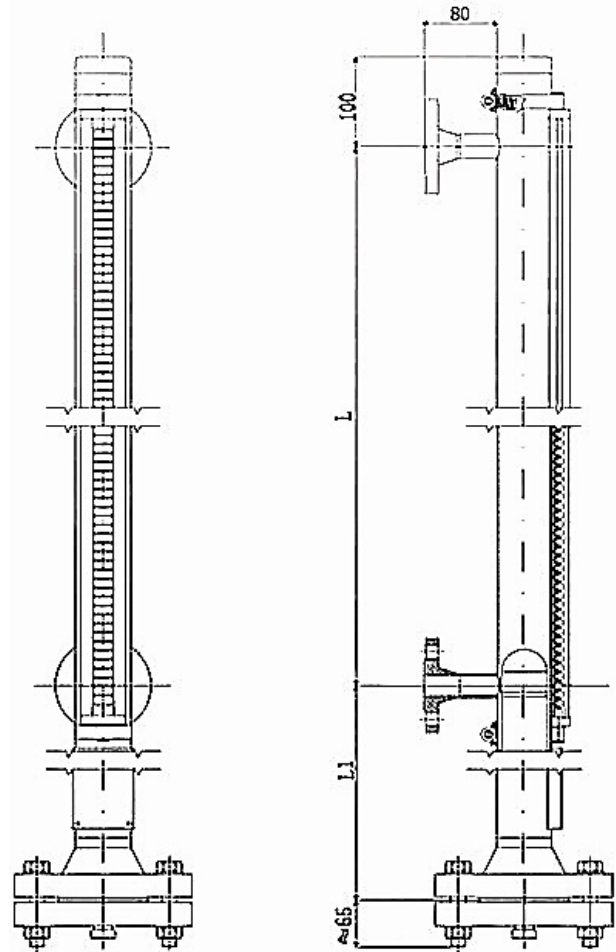
L1 = Float Length -30mm

Install a center support when the
center distance exceeds 4000mm

Install a center support when the
center distance exceeds 4000mm



Basic Type



High-Pressure Type

Magnetic Float Level Indicator

Model: LFG

Ordering Code	LFG	B10	SC	DA	00	L10000	FC	AS	15	150	RF	KG1000	16BAR	T80
Model	LFG													
LFG	Magnetic Float Level Indicator	LFG												
Mount														
B10	Side mounted basic type	B10												
B70	Side mounted lining type													
T10	Top mounted basic type													
T70	Top mounted lining type													
Chamber/Float Material														
SC	304 SS		SC											
SL	316L SS													
PV	PVC													
PP	PP													
Display panel and flip column, window														
DA	A luminum, plastic rotating flap (red & white), polyester window			DA										
DH	Aluminum, ceramic rotating flap (white & blue), glass window													
Scale														
00	Without													
SA	Aluminum scale with unit cm				SA									
SC	Stainless steel scale with unit cm													
Range														
L200	200mm													
L10000	10000mm					L10000								
	Others please consult factory													
Connection type														
FC	Flange connection						FC							
SC	Thread connection													
Flange standard														
N/A														
AS	ASME							AS						
EN	DIN													
Flange size														
N/A														
10	1"													
15	1.5"								15					
20	2"													
DN15	DN15													
DN20	DN20													
DN25	DN25													
DN40	DN40													
DN50	DN50													

Magnetic Float Level Indicator

Model: LFG

Ordering Code **LFG B10 SC DA 00 L10000 FC AS 15 150 RF KG1000 16BAR T80**

Flange pressure rating

150	Class 150	150
300	Class 300	
600	Class 600	
900	Class 900	
1500	Class 1500	
PN10	PN10	
PN16	PN16	
PN25	PN25	
PN40	PN40	
PN100	PN100	
PN160	PN160	

Sealing face

N/A		
RF	Raised face	RF
RJ	Ring joint	

Media density (kg/m3)

Please input a exact value
0~10000 KG1000

Working pressure

16BAR	Max.1.6 MPa	16BAR
25BAR	Max.2.5 MPa	
40BAR	Max.4 MPa	
64BAR	Max.6.4 MPa	
100BAR	Max.10 MPa	
160BAR	Max.16 MPa	

Media temperature(°C)

T80	Max. working temperature 80°C	T80
T100	Max. working temperature 100°C	
T120	Max. working temperature 120°C	
T150	Max. working temperature 150°C	
T200	Max. working temperature 200°C	
T300	Max. working temperature 300°C	
T350	Max. working temperature 350°C	
T400	Max. working temperature 400°C	
T380	Max. working temperature 380°C	
T450	Max. working temperature 450°C	

Magnetic Float Level Indicator

Model: LFG

Magnetic Switch Ordering Code

MRS - 4 - R20 - L3

Type			
MRS	Magnetic Switch	MRS	
Numbers of switches			
1	1 switch	1	
2	2 switches	2	
3	3 switches	3	
4	4 switches	4	
Connection Method			
J	Cable Type		J
C	Stand Terminal Box		C
B	Intrinsically Safe Type		B
D	Explosion-proof Type		D
Options			
L1.5	With 1.5m cable		L1.5
L3	With 3m cable		L3
L5	With 5m cable		L5
L10	With 10m cable		L10
TXT	Other special instructions		TXT

Transmitter Ordering Code

MRT - BDH - R20 - L3

Mode			
MRT	Resistance Chain Transmitter	MRT	
Explosion-proof form			
00	Without Transmitter	00	
BX	Normal type (Aluminum terminal box & Stainless steel chamber)	BX	
BI	Intrinsically Safe (Aluminum terminal box & Stainless steel chamber)	BI	
BD	Explosion-proof (Aluminum terminal box & Stainless steel chamber)	BD	
BDH	Hart (Explosion-proof terminal box & Stainless Steel chamber)	BDH	
DPI			
R10	10 mm		R10
R20	20 mm		R20
R05	5 mm		R05
Options			
L1.5	With 1.5m cable		L1.5
L3	With 3m cable		L3
L5	With 5m cable		L5
L10	With 10m cable		L10
TXT	Other special instructions		TXT